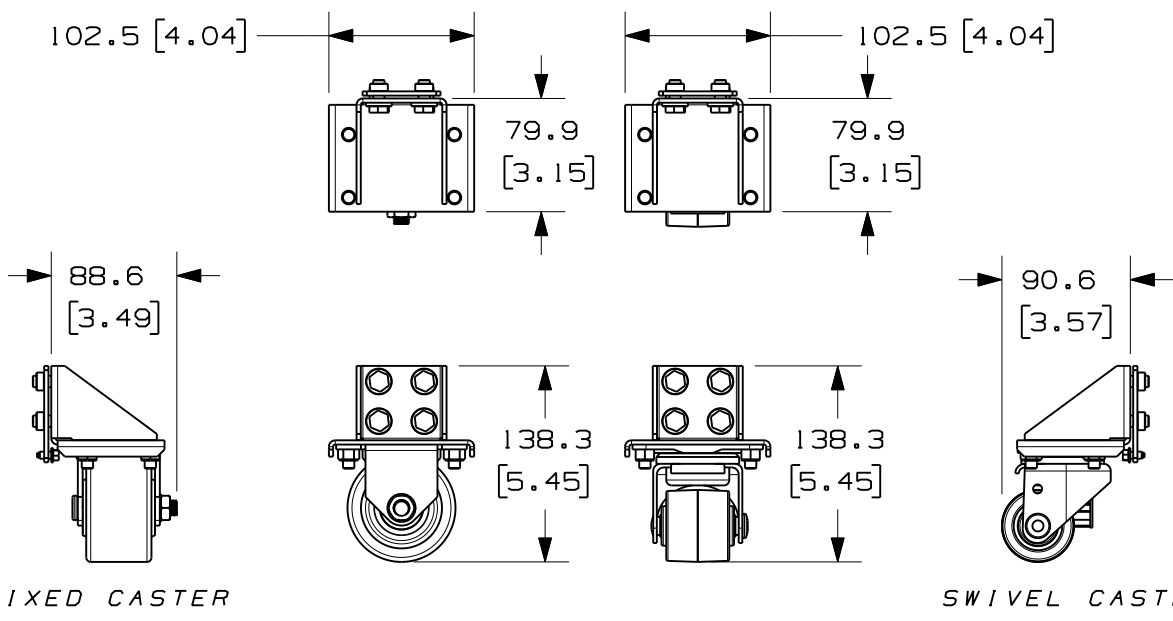


THIS COPY IS PROVIDED ON A RESTRICTED BASIS AND IS NOT TO BE USED IN ANY WAY DETRIMENTAL TO THE INTERESTS OF PANDUIT CORP.

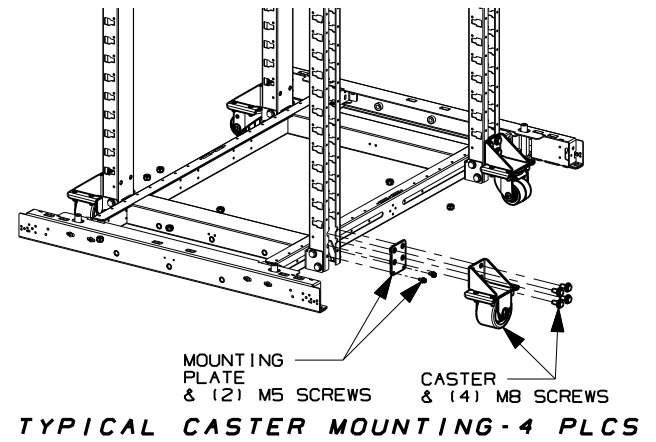
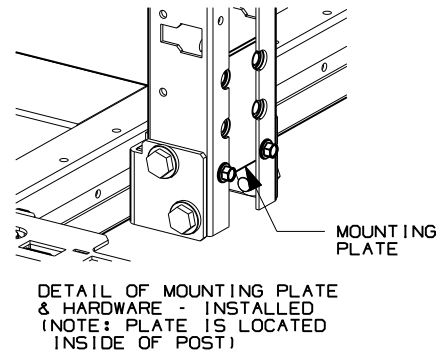


PANDUIT P/N	WEIGHT
NCSTR4	5.5 Kg/EACH 12.1 LBS/EACH

- NOTES:
- VISIT OUR ON-LINE CATALOG AT WWW.PANDUIT.COM FOR A LIST OF CURRENT PARTS APPLICABLE FOR USE WITH THIS PRODUCT.
 - PRIMARY DIMENSIONS ARE IN MILLIMETERS (mm).
 - PARTS SUPPLIED:
 (2) - FIXED CASTER ASSEMBLIES
 (2) - SWIVEL CASTER ASSEMBLIES
 (4) - MOUNTING PLATES
 (8) - M5 HEX HEAD SCREWS
 (16) - MB HEX HEAD SCREWS
 (1) - INSTRUCTION SHEET
 - CASTERS ADD 24mm (1") TO HEIGHT OF CABINET.

SWIVEL CASTER ASSEMBLY
2 PLCS AT REAR OF CABINET

FIXED CASTER ASSEMBLY
2 PLCS AT FRONT OF CABINET



OOA	9-21-12	LEE	ANI	JOWE	RELEASED TO PRODUCTION					12V305KY-DC
REV	DATE	BY	CHK	APR	DESCRIPTION	ECN				

TITLE N-TYPE CABINET CASTER KIT (NCSTR4) CUSTOMER DRAWING									
CONTROL DRAWING									
ITEM REVISION NAME 12V305KY/00.PRT									
DATASET FILE NAME 12V305KY_DC/00A.PRT									
UNLESS OTHERWISE SPECIFIED, DIMENSIONAL TOLERANCES ARE:									
INCHES		METRIC - MILLIMETER		ANGLE					
X.X	+/- 0.03	X.X	+/- 0.8	+/- 1°					
X.XX	+/- 0.018	X.X	+/- 0.46						
X.XXX	+/- 0.007	X.XX	+/- 0.18						
MATERIAL/COLOR: N/A									
DRAWING NUMBER: 12V305KY-DC									
DRAWN BY LEE		DATE 9-20-12		CHK		SCALE NONE		SHT 1 OF 1	
								SIZE A	