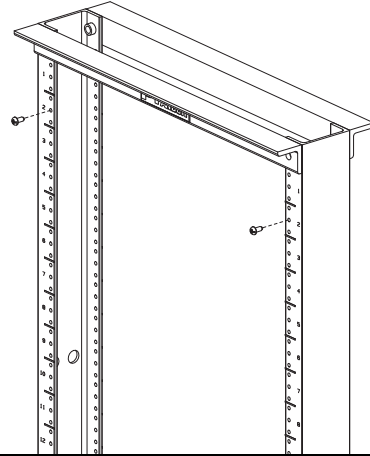
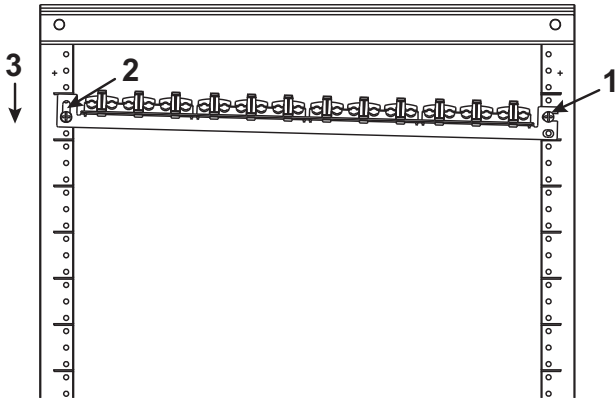


SRBWCY

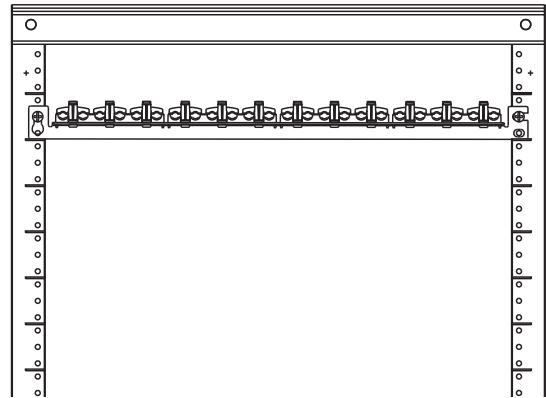
1.



2.

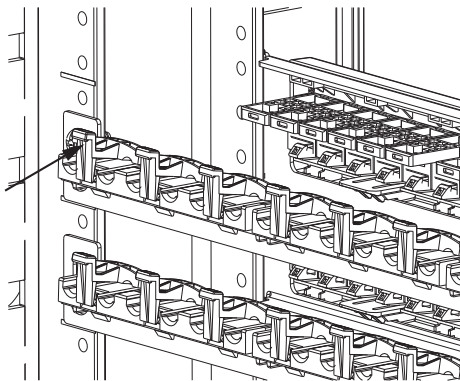


3.

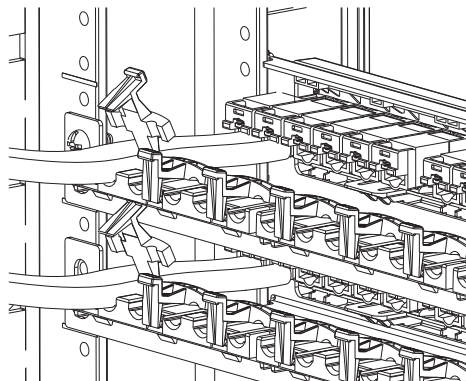


### Cable Installation Instructions

1.



2.



#### Note:

Install copper cable in typical fashion allowing for adequate slack to run over the strain relief clips. Once the cable is positioned in the clip, press the strain relief clip down until snug. The design of each clip is such that at no time should a clip be twisted. The living hinge design can separate and develop cracks or fractures if twisted to the right or left.

For Instructions in Local Languages  
and Technical Support:

[www.panduit.com/resources/install\\_maintain.asp](http://www.panduit.com/resources/install_maintain.asp)

# PANDUIT

[www.panduit.com](http://www.panduit.com)

E-mail:  
[techsupport@panduit.com](mailto:techsupport@panduit.com)

Phone:  
866-405-6654