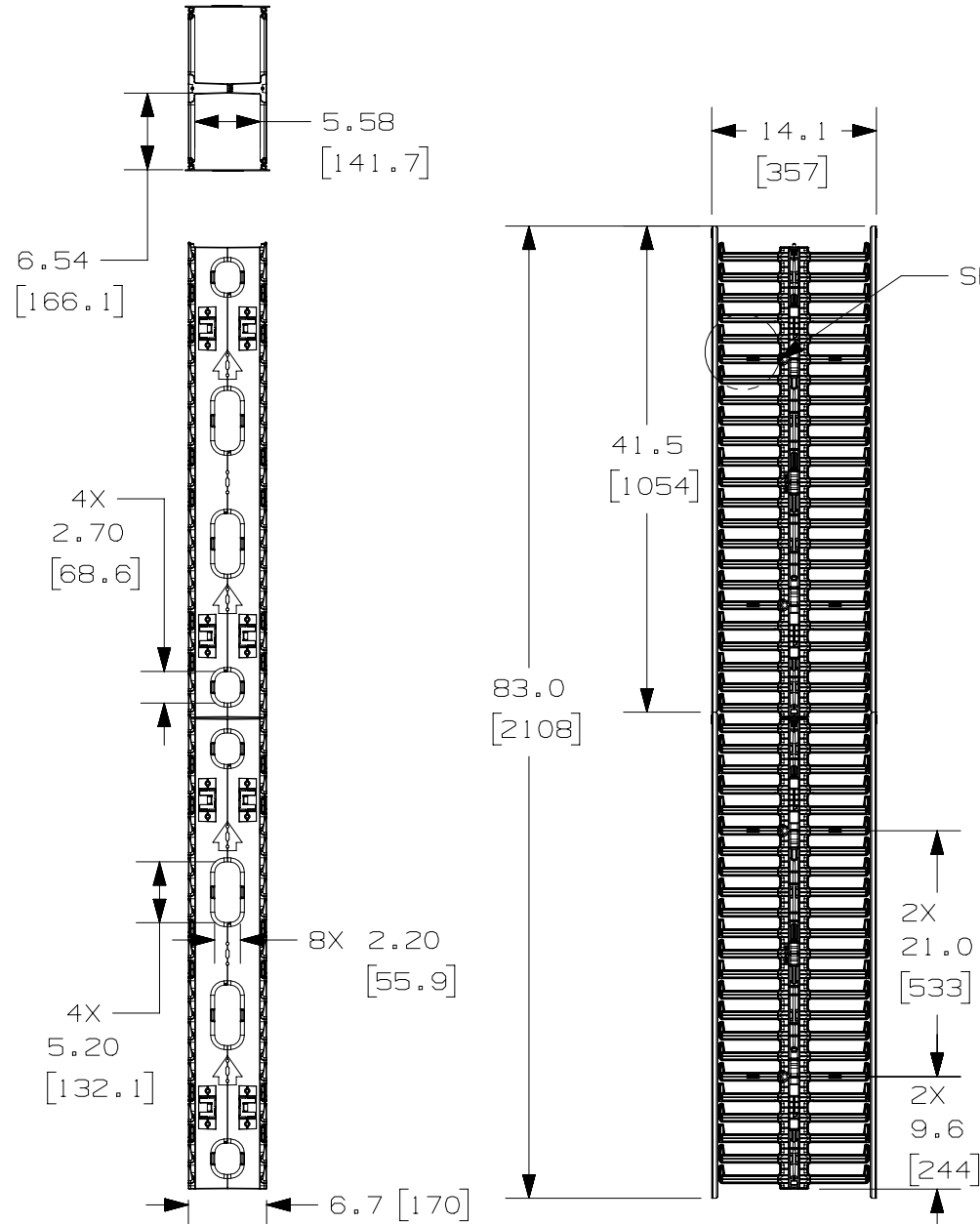
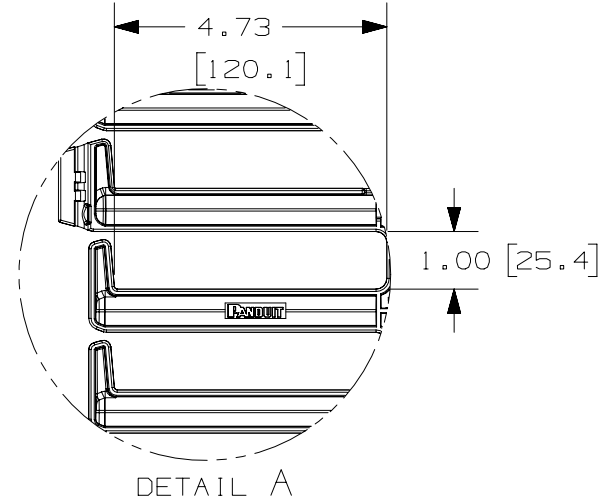


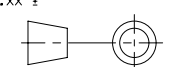
THIS COPY IS PROVIDED ON A RESTRICTED BASIS AND IS NOT TO BE USED IN ANY WAY DETRIMENTAL TO THE INTERESTS OF PANDUIT CORP.



PANDUIT P/N	WEIGHT
WMPVHC45E	23.0 LBS/EACH 10.43 Kg/EACH

- NOTES:
- VISIT OUR ON-LINE CATALOG AT WWW.PANDUIT.COM FOR A CURRENT LIST OF PRODUCTS APPLICABLE FOR USE WITH THIS PART.
 - COMPONENTS:
 - 2- 22.5RU CABLE MANAGEMENT SECTIONS
 - 4- 41.5" DUAL HINGE COVERS
 - 4- MOUNTING BRACKETS
 - 8- #12-24 X 1/2" SCREWS
 - DIMENSIONS IN PARENTHESES ARE METRIC.

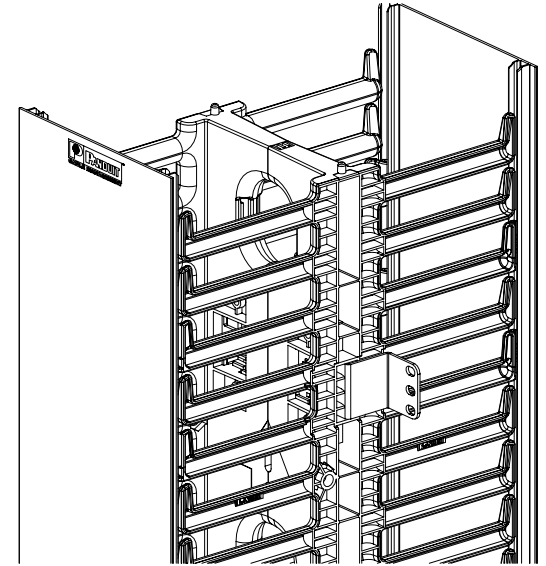
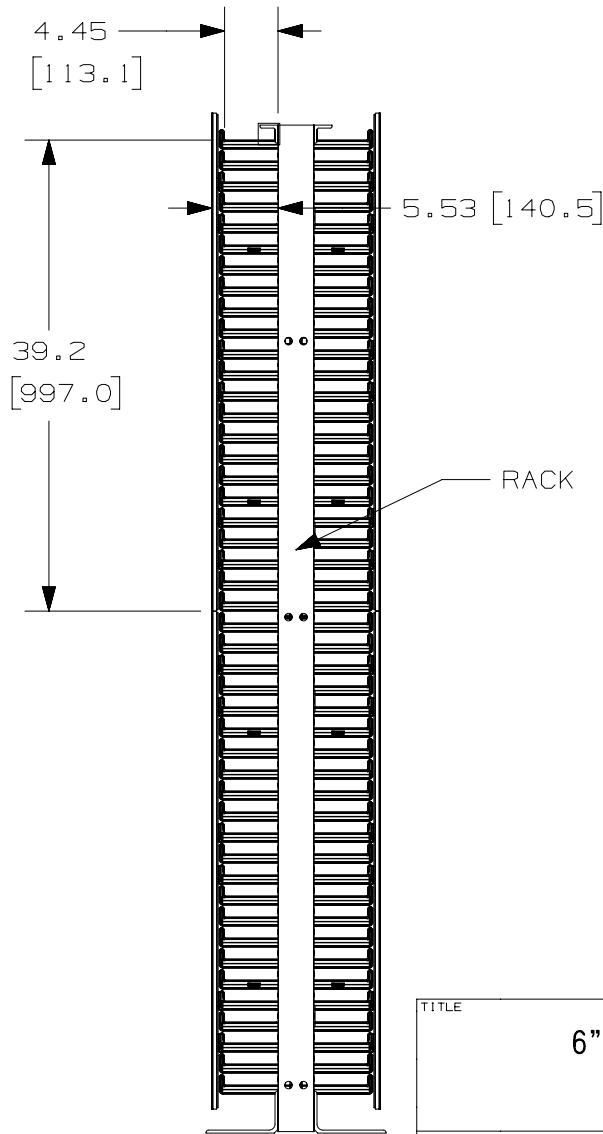
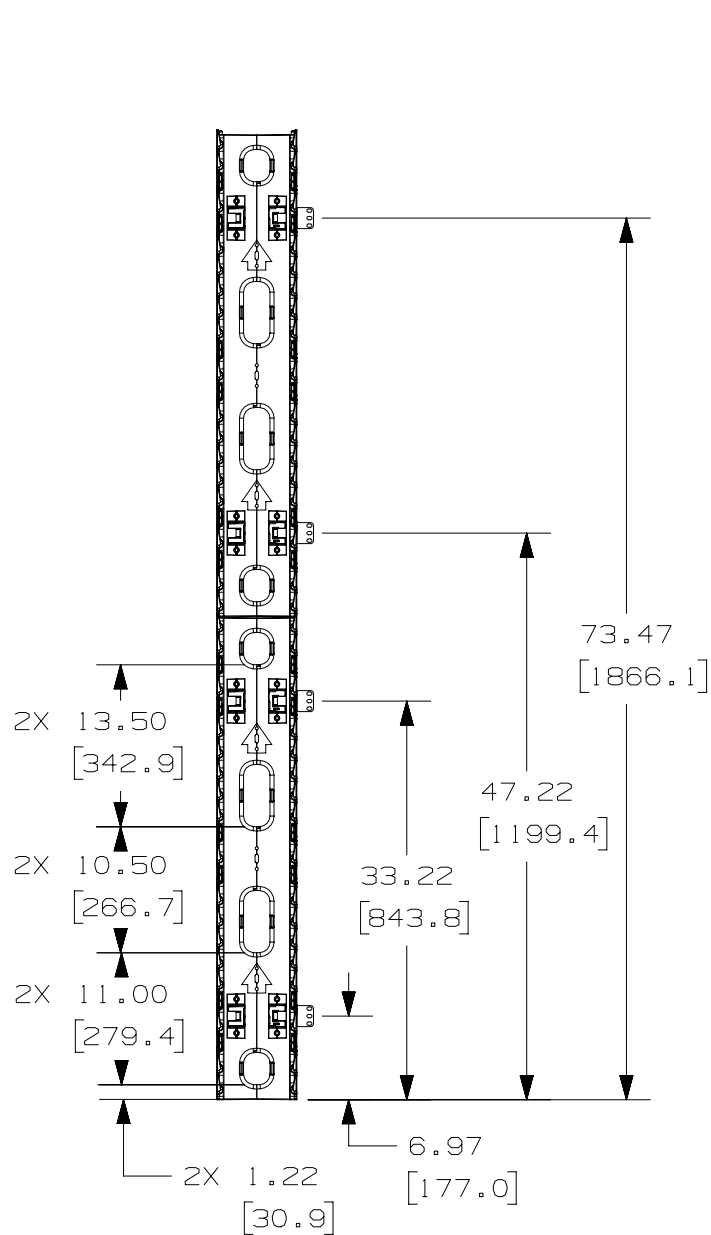


TITLE					
6" WIDE VERTICAL CABLE MANAGER WMPVHC45E CUSTOMER DRAWING					
ITEM REVISION NAME	V10225AG/06				
DATASET FILE NAME	V10225AG_DC/06A				
UNLESS OTHERWISE SPECIFIED, DIMENSIONAL TOLERANCES ARE: IN (mm)	MATERIAL: CABLE MANAGER- ABS COVER- PVC				
.X ± .XX ± 	.XXX ± ANGLES ± THIRD ANGLE PROJECTION DRAWING NUMBER: 10225-25				
DRAWN BY	DATE	CHK	SCALE	SHT 1 OF 2	SIZE
JDWE	3-15-05	TCK	NONE		A

REV	DATE	BY	CHK	APR	DESCRIPTION	ECN
06A	3-30-15	TWV	MACA	KRKE	REMOVED CABLE RETAINERS. REVISED NOTES.	10225-25
05A	6-5-13	BAME	FGR	CMK	REVISED AND REDRAWN; ALL PREVIOUS REVS OMITTED REVISED TITLE BLOCK; UPDATED DIMS ON PAGE 2	10225-25

D101000DA/15

THIS COPY IS PROVIDED ON A RESTRICTED BASIS AND IS NOT TO BE USED IN ANY WAY DETRIMENTAL TO THE INTERESTS OF PANDUIT CORP.



TITLE		6" WIDE VERTICAL CABLE MANAGER WMPVHC45E					
		CUSTOMER DRAWING					
ITEM REVISION NAME		V10225AG/06					
DATASET FILE NAME		V10225AG_DC/06A					
UNLESS OTHERWISE SPECIFIED, DIMENSIONAL TOLERANCES ARE: IN (mm)		PANDUIT					
.X ± .XX ±					.XXX ± ANGLES ±		
		MATERIAL:					
		CABLE MANAGER- ABS COVER- PVC					
DRAWN BY JDWE		DATE 3-15-05		DRAWING NUMBER: 10225-25			
		CHK TCK	SCALE NONE	SHT 2 OF 2			
REV	DATE	BY	CHK	APR	DESCRIPTION	ECN	SIZE

06A	3-30-15	TWV	MACA	KRKE	SEE SHEET 1 OF 2 FOR REVISIONS	10225-25
05A	6-5-13	BAME	FGR	CMK	SEE SHEET 1 OF 2 FOR REVISIONS	10225-25

D10100DA/15

2

1

2

1