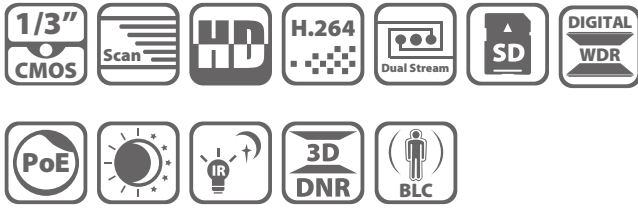
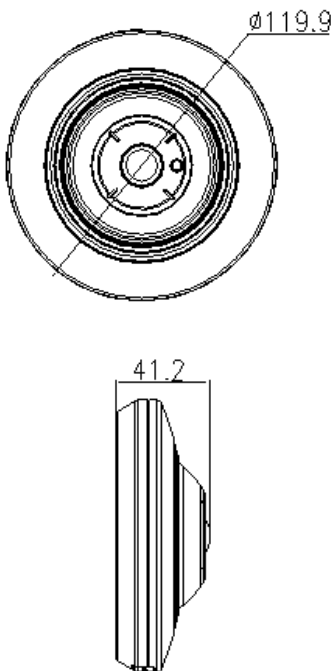


## DS-2CD2942F-(I)(S)

## 4 MP Compact Fisheye Network Camera



### Dimensions



### Available Models

DS-2CD2942F, DS-2CD2942F-I  
DS-2CD2942F-IS

-I: IR LEDs  
-S: Audio/Alarm IO

### Accessories



DS-2CD1694ZJ Wall mount

DS-2CD2942F-(I)(S)	
<b>Camera</b>	
Image Sensor	1/3" Progressive Scan CMOS
Min. Illumination	Color: 0.01 lux @(F1.2, AGC ON) B/W: 0.001 lux @(F1.2, AGC ON), 0 lux with IR
Shutter Time	1/3 s to 1/100,000 s
Lens	1.6mm, F1.6 Angle of view: 186°(horizontal), 106°(vertical)
Lens Mount	M12
Day & Night	Electronic
<b>Compression Standard</b>	
Video Compression	H.264/MJPEG
H.264 Compression Profile	Baseline Profile / Main Profile
Bit Rate	32 Kbps – 8 Mbps
<b>Image</b>	
Max. Image Resolution	2560 x 1440
Frame Rate	50Hz: 12.5fps (2560 x 1440), 25fps(1920x1080, 1280x720) 60Hz: 15fps (2560 x 1440), 30fps(1920x1080, 1280x720)
Digital Noise Reduction	3D DNR
Image Setting	Saturation, Brightness, Contrast, Hue, Sharpness, AGC, White Balance
Day/Night Switch	Auto/ Scheduled/ Alarm Trigger
<b>Network</b>	
Network Storage	NAS (Support NFS,SMB/CIFS)
Alarm Trigger	Line Crossing, Intrusion detection, Motion detection, Dynamic analysis, Tampering alarm, Network disconnect, IP address conflict, Storage exception
Protocols	TCP/IP, ICMP, HTTP, HTTPS, FTP, DHCP, DNS, DDNS, RTP, RTSP, RTCP, PPPoE, NTP, UPnP, SMTP, SNMP, IGMP, 802.1X, QoS, IPv6, Bonjour
Security	User Authentication, Watermark, IP address filtering, Anonymous access
Standard	ONVIF, PSIA, CGI, ISAPI
<b>Interface</b>	
Communication Interface	1 RJ45 10M/100M Ethernet interface 1 RS485 interface(-S)
Onboard Storage	Built-in Micro SD/SDHC/SDXC slot, up to 64 GB
<b>General</b>	
Operating Conditions	-10°C ~ 40°C (14°F ~ 104°F), Humidity 95% or less (non-condensing)
Power Supply	12 VDC ± 10% / PoE (802.3af)
Power Consumption	Max. 5.55W
Mount Type	Ceiling mounting, Wall mounting, Table mounting
Software Dewarping	By web component or client
Dimensions (mm)	119.9 x 41.2
Weight	600g