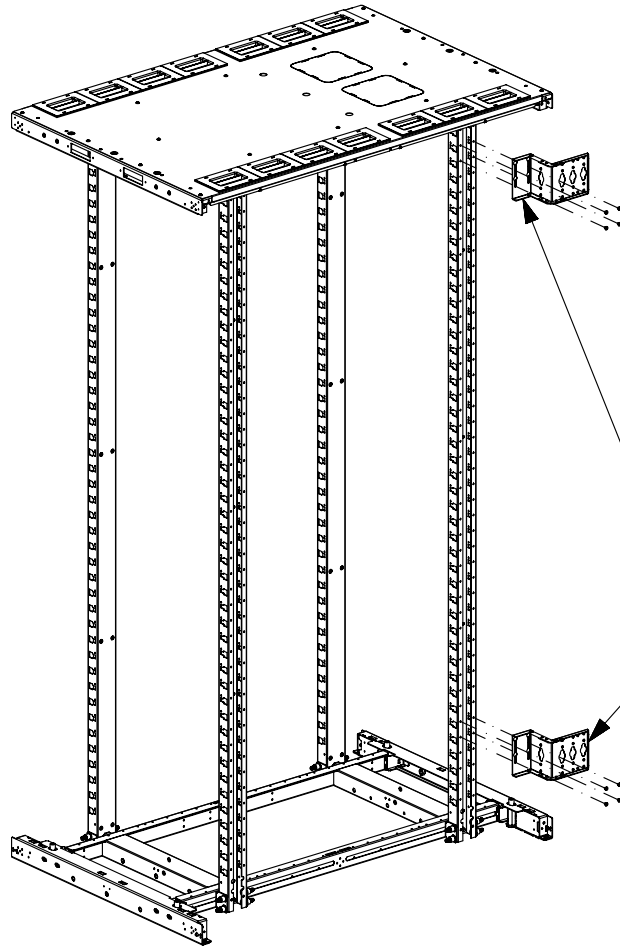


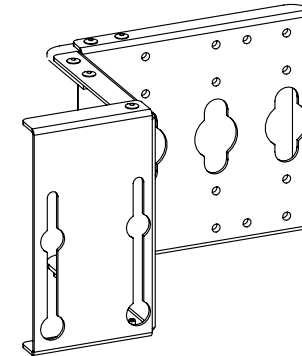
THIS COPY IS PROVIDED ON A RESTRICTED BASIS AND IS NOT TO BE USED IN ANY WAY DETRIMENTAL TO THE INTERESTS OF PANDUIT CORP.



APPLICATION VIEW
CABINET NOT INCLUDED

PANDUIT P/N	WEIGHT
NVPDUB	2.0 Kg/EACH 4.4 LBS/EACH

- NOTES:
- VISIT OUR ON-LINE CATALOG AT WWW.PANDUIT.COM FOR A LIST OF CURRENT PARTS APPLICABLE FOR USE WITH THIS PRODUCT.
 - PRIMARY DIMENSIONS ARE IN MILLIMETERS (mm).
 - PARTS SUPPLIED:
(2) - PDU BRACKETS
(8) - TORX SCREWS
(1) - INSTRUCTION SHEET

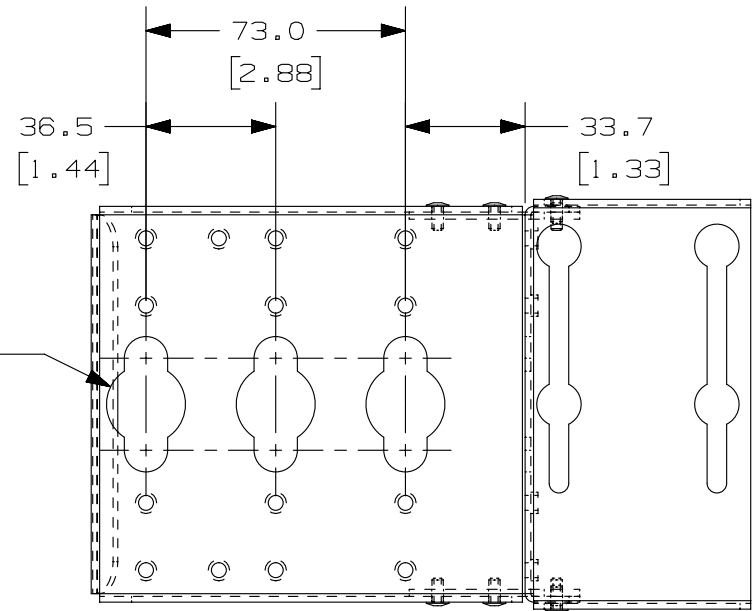
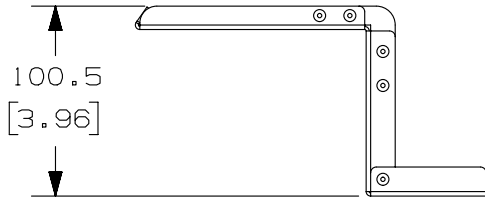


ISO VIEW

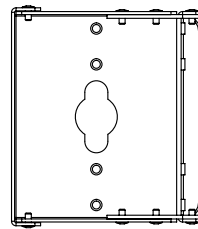
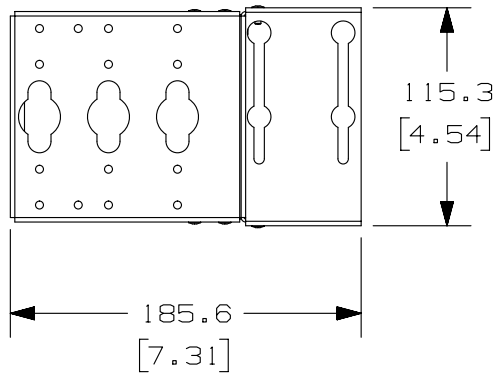
OOA	9-18-13	PBS			RELEASED TO PRODUCTION				11V223GS-DC
REV	DATE	BY	CHK	APR	DESCRIPTION		ECN		

TITLE NVPDUB NET ACCESS N-TYPE PDU BRACKET FG CUSTOMER DRAWING									
ITEM REVISION NAME 11V223GS/00.PRT									
DATASET FILE NAME 11V223GS_DC/00A.PRT									
UNLESS OTHERWISE SPECIFIED, DIMENSIONAL TOLERANCES ARE:									
INCHES		METRIC - MILLIMETER		ANGLE					
X.X	+/- 0.06	X.	+/- 1.5	+/- 1°					
X.XX	+/- 0.03	X.X	+/- 0.8						
X.XXX	+/- 0.015	X.XX	+/- 0.4						
DRAWING NUMBER: 11V223GS-DC								MATERIAL/COLOR:	
THIRD ANGLE PROJECTION									
DRAWN BY	DATE	CHK	SCALE	SHT 1 OF 2					
PBS	9-18-13		NONE	A					

THIS COPY IS PROVIDED ON A RESTRICTED BASIS AND IS NOT TO BE USED IN ANY WAY DETRIMENTAL TO THE INTERESTS OF PANDUIT CORP.



3X 22.2 DIA
[.88]



TITLE
NVPDUB NET ACCESS N-TYPE POU
BRACKET FG
CUSTOMER DRAWING

ITEM REVISION NAME
11V223GS/00.PRT

DATASET FILE NAME
11V223GS_DC/00A.PRT

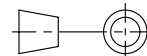
UNLESS OTHERWISE SPECIFIED, DIMENSIONAL TOLERANCES ARE:
INCHES +/- 0.06 METRIC - MILLIMETER +/- 1.5 ANGLE
X.X +/- 0.03 X.X +/- 0.8 +/- 1°
X.XXX +/- 0.015 X.XX +/- 0.4

PANDUITTM

MATERIAL/COLOR:

DRAWING NUMBER:
11V223GS-DC

OOA 9-18-13 PBS SEE SHEET 1 OF 2 FOR REVISIONS 11V223GS-DC



THIRD ANGLE
PROJECTION

REV	DATE	BY	CHK	APR	DESCRIPTION	ECN

DRAWN BY PBS	DATE 9-18-13	CHK	SCALE NONE	SHT 2 OF 2	SIZE A
-----------------	-----------------	-----	---------------	------------	-----------