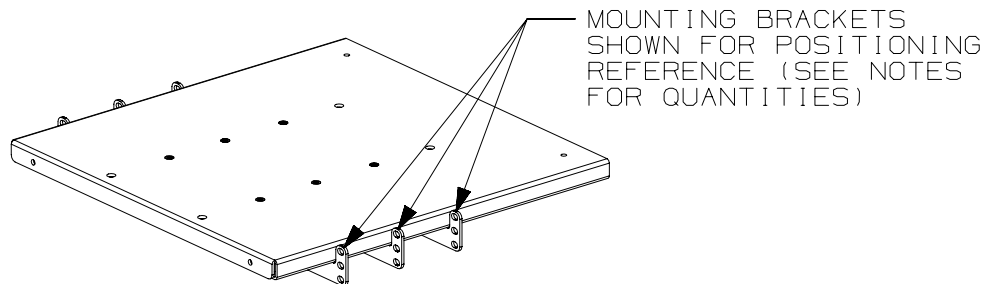
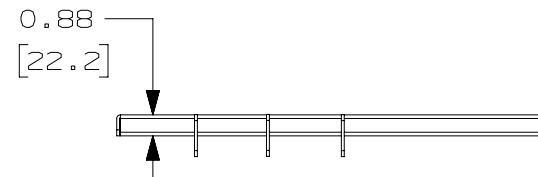
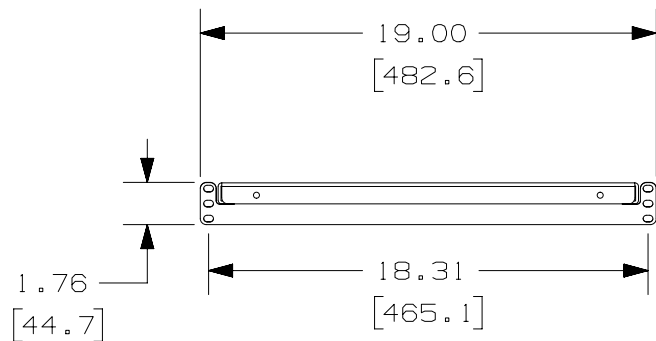
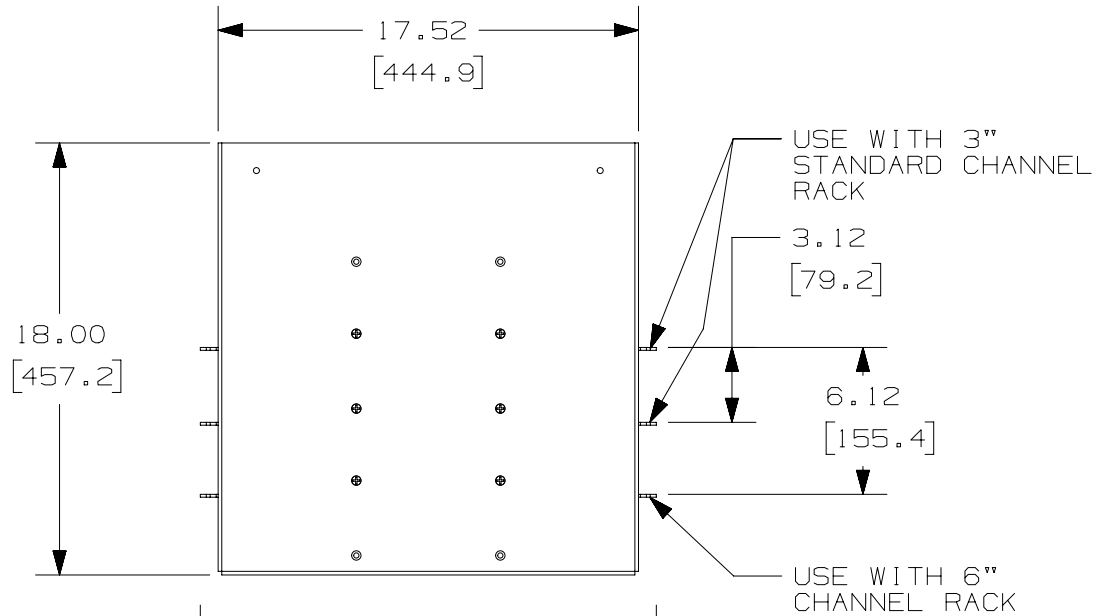


THIS COPY IS PROVIDED ON A RESTRICTED BASIS AND IS NOT TO BE USED IN ANY WAY DETRIMENTAL TO THE INTERESTS OF PANDUIT CORP.



PANDUIT PART NO.	WEIGHT
SRM19X18A1	16.3 LBS/EACH 7.4 Kg/EACH

NOTES:

- VISIT OUR ON-LINE CATALOG AT WWW.PANDUIT.COM FOR A LIST OF CURRENT PARTS APPLICABLE FOR USE WITH THIS PRODUCT.
- COMPONENTS:
 1- SHELF
 2- MOUNTING BRACKETS
 4- #10-32 X 3/8" UNDERCUT SCREWS
 8- #12-24 X 1/2" SCREWS
- SHELF CAN BE ADJUSTED TO 2 POSITIONS FOR 3" CHANNEL RACK AND 3 POSITIONS FOR 6" CHANNEL RACK.
- DIMENSIONS IN PARENTHESIS ARE METRIC
- LOAD CAPACITY OF 250 LBS.

REV	DATE	BY	CHK	APR	DESCRIPTION	ECN
04A	9-19-16	TWV	JEFK	KRKE	REMOVED M6 SCREWS; ADDED 6" CHANNEL RACK POSITIONING	10254-03-DC
R	10-19-04	TKW	JEFK	KRKE	RELEASED TO PRODUCTION	10254-03-DC

TITLE 19" X 18" ADJUSTABLE RACK MOUNT SHELF (SRM19X18A1)						CUSTOMER DRAWING	
ITEM REVISION NAME V10254AA/04						PANDUIT	
DATASET FILE NAME V10254AA_DC/04A							
UNLESS OTHERWISE SPECIFIED, DIMENSIONAL TOLERANCES ARE: ANGLE +/- 1°						MATERIAL: STEEL	
THIRD ANGLE PROJECTION						DRAWING NUMBER: 10254-03	
						DRAWN BY TKW	DATE 10-19-04