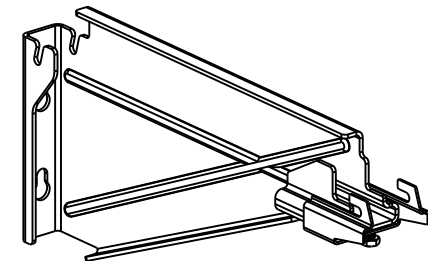
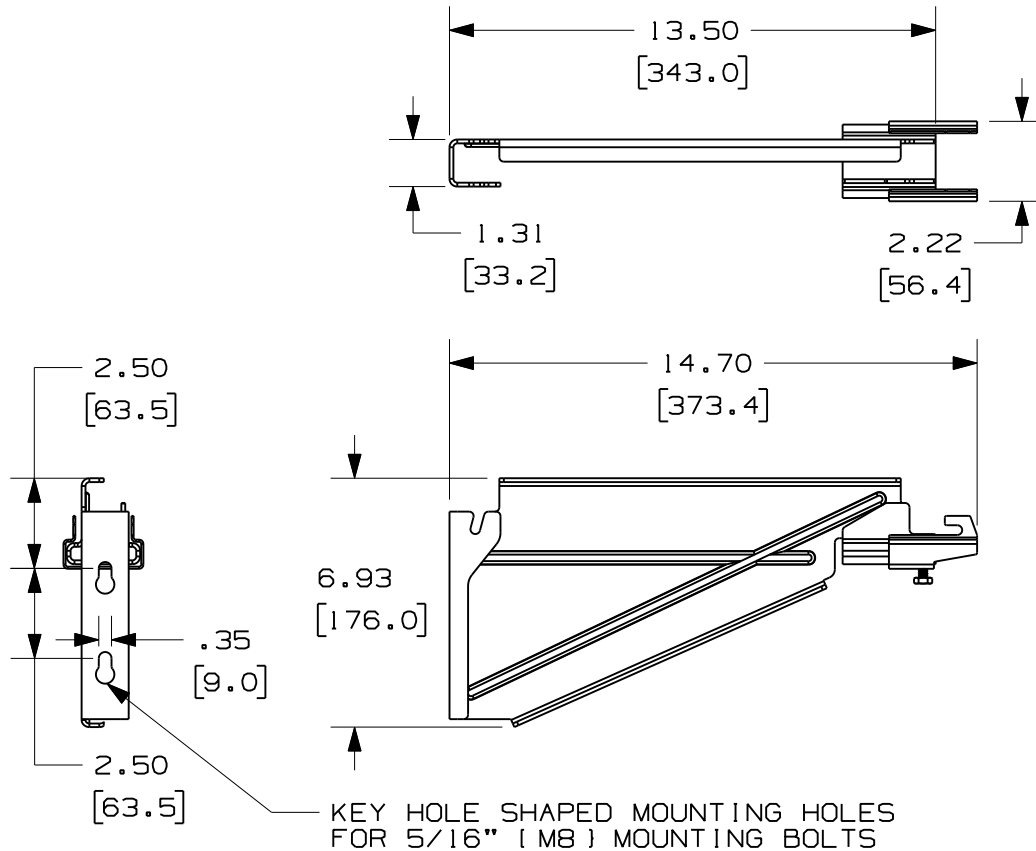


THIS COPY IS PROVIDED ON A RESTRICTED BASIS AND IS NOT TO BE USED IN ANY WAY DETRIMENTAL TO THE INTERESTS OF PANDUIT CORP.

PANDUIT PART NUMBER	WEIGHT
WGCB12	2.63 LBS (1193 g)

NOTES:

- SEE CURRENT CATALOG FOR PART NUMBER DESIGNATION FOR TYPE AND COLOR.
- EACH PACKAGE CONSISTS OF:
 (1) WYR-GRID CANTILEVER BRACKET
 (1) WYR-GRID BRACKET CLIP
 (1) 1/4-20 X 3/8 HEX HEAD CAP SCREW
- WYR-GRID CANTILEVER BRACKETS MOUNT TO A VERTICAL SURFACE, SUCH AS A WALL, TO SUPPORT WYR-GRID PATHWAY.
- DIMENSIONS IN PARENTHESES ARE METRIC



CAD FILENAME/LAYERS 09D017AH_DC_WGCB12/03B

PANDUIT CORP. TINLEY PARK, ILLINOIS

WYR-GRID 12" CANTILEVER BRACKET ASSEMBLY (WGCB12)
CUSTOMER DRAWING

UNLESS OTHERWISE SPECIFIED, DIMENSIONAL TOLERANCES ARE: (.X) ± (.XXX) ± (.XX) ± .05 (1.3) ANGLES ±	UNLESS OTHERWISE SPECIFIED, ALL DIMENSIONS ARE GIVEN IN INCHES, THIRD ANGLE PROJECTION.
--	---

REV	DATE	BY	CHK	DESCRIPTION	ECN	CHK	CUST	SUP
I	1/14/11	ERK	DWW	RELEASED TO PRODUCTION	09D017AH-DC	RN	RN	
R	5-25-10	JAHA	DWW	DRAWING RELEASED				

DRAWN BY JAHA	MAT'L: STEEL	SCALE NONE
DATE 5-24-10		DRAWING NO. 09D017AH-DC
CHK'D DWW		DWG A SIZE