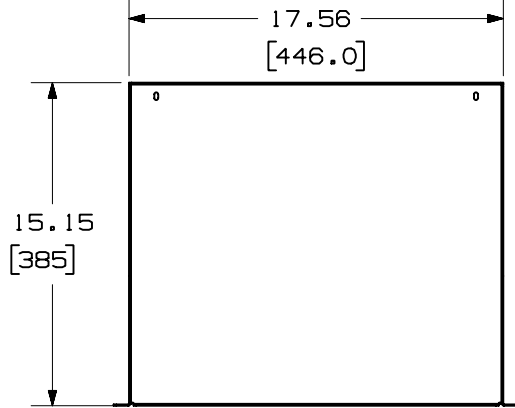


THIS COPY IS PROVIDED ON A RESTRICTED BASIS AND IS NOT TO BE USED IN ANY WAY DETRIMENTAL TO THE INTERESTS OF PANDUIT CORP.



PANDUIT P/N	WEIGHT
SRM19FM1	5.38LBS/EACH 2440.3g/EACH

NOTES:

1. IDENTIFICATION: RACK MOUNT SHELF 19" FRONT MOUNT 1 RU

PART NO.
SRM19FM1

COLOR
GAVANNEALED STEEL WITH
BLACK POWDER COAT FINISH

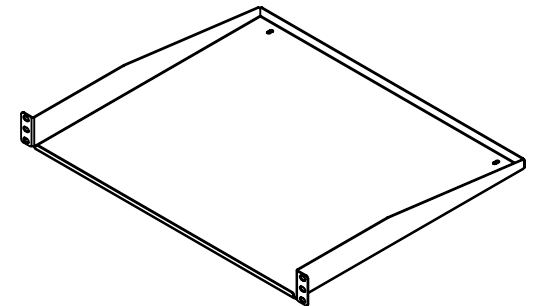
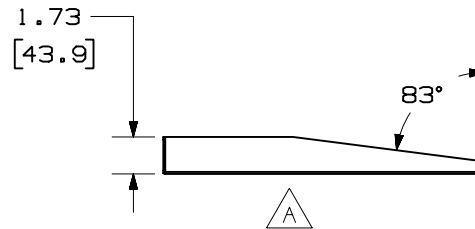
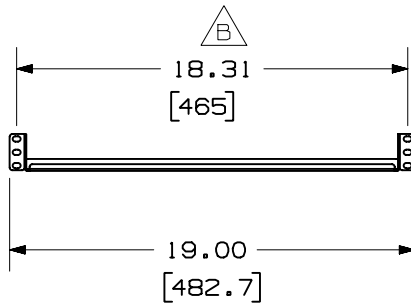
2. COMPONENTS:

- (1) 19" RACK MOUNT SHELF
- (4) #12-24 MOUNTING SCREWS
- (4) M6 METRIC SCREWS



3. DIMENSIONS IN PARENTHESIS ARE METRIC.

4. LOAD RATED TO 45 LBS. (20KGS)



MODEL FILENAME M10009BA_SRM19FM1_01.PRT

CAD FILENAME/LAYERS M10009BA_DC_01D.PRT

PANDUIT CORP. TINLEY PARK, ILLINOIS

19" RACK MOUNT SHELF
(SRM19FM1) CUSTOMER DRAWING

UNLESS OTHERWISE SPECIFIED,
DIMENSIONAL TOLERANCES ARE:
(.X) ± .03 (.XXX) ± .005
(.XX) ± .01 ANGLES ± 1°

UNLESS OTHERWISE SPECIFIED,
ALL DIMENSIONS ARE GIVEN
IN INCHES, THIRD ANGLE PROJECTION.

DRAWN BY
JDWE

MAT'L:

SCALE 1/8

DATE
9-5-01

SEE
NOTES

DRAWING NO.
10009-06

DWG
SIZE
A

CHK'D
RTSU

REV	DATE	BY	CHK	DESCRIPTION	ECN	R	CUST	SUP	OTH
3	5-2-02	JDWE		D. ADDED METRIC SCREWS	10009-06				
2	9-25-01	MECA	MECA	C. ADDED NOTE 4	10009-06	RTSU			
1	9-21-01	JDWE	MECA	B. REASSOCIATED DIMENSION. A. REMOVED DIMENSION.	10009-06	RTSU			
R	9-5-01	JDWE	RTSU	RELEASE TO PRODUCTION	10009-06	RTSU			